



DONNEES TECHNIQUES / TECHNICAL DATA

Fluide / Fluid	Air / Air
Pression Max / Maximum pressure	15 bar
Température / Temperature	-10 / +50° C
Plage de régulation / Regulation range	0-2bar 0-4bar 0-8bar standard 0-12bar
Grade de filtration / Filtration grade	5µm - 20µm standard - 50µm
Débit à 6 bar / Δp à 1 bar / f bar flow rate with Δp 1 bar	600l/minh
raccordement de manomètre / Manometer fastening	1/8
Volume / Bowl capacity	17,5cm ³

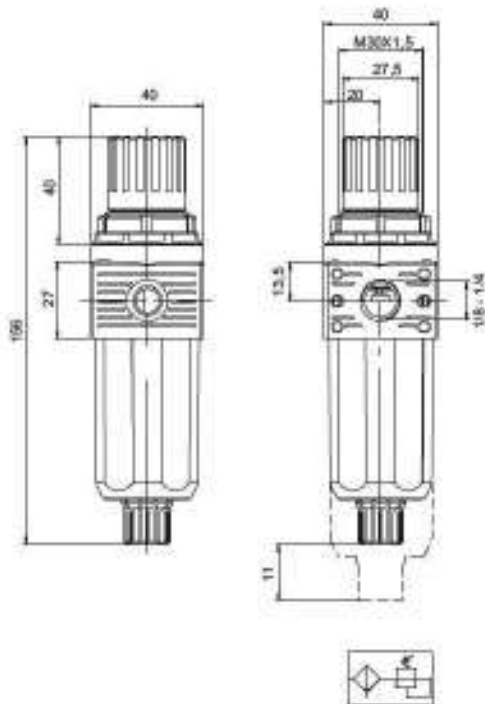
CODIFICATIONS / KEY TO TYPE NUMBER

XPD.0.0.0.1

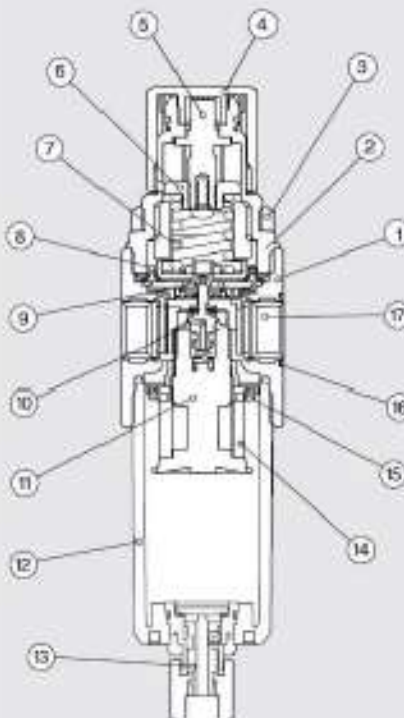
**GRADE DE FILTRATION
FILTRATION GRADE**
1= 5 µm
2= 20 µm STANDARD
3= 50 µm

FILETAGE / THREAD
1=G 1/8
2=G 1/4

**PLAGE DE REGULATION
REGULATION RANGE**
1=0-2bar
2=0-4bar
3=0-8bar STANDARD
4=0-12bar



COMPOSANTS / COMPONENTS



1	corps body	technopolymer technopolymer
2	cloche bell	technopolymer technopolymer
3	bague flang nut	technopolymer technopolymer
4	molette knob	technopolymer technopolymer
5	vis de réglage register screw	laiton brass
6	écrou femelle female screw	laiton brass
7	ressort de réglage register spring	acier steel
8	membrane membrane	
9	joint seal	NBR NBR
10	obturateur shutter	NBR NBR
11	lèvre filter ring	technopolymer technopolymer
12	bol bowl	technopolymer technopolymer
13	puge cond. exhaust	technopolymer technopolymer
14	cartouche cartridge	PE PE
15	bague slinger	technopolymer technopolymer
16	tolique o-ring	NBR NBR
17	insert filetage threaded insert	laiton brass