



DONNEES TECHNIQUES / TECHNICAL DATA

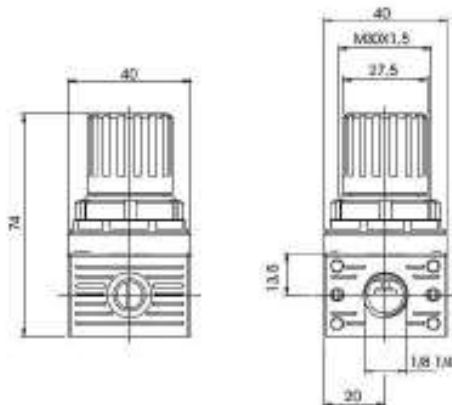
Fluide / Fluid	Air / Air
Pression Max / Maximum pressure	15 bar
Température / Temperature	-10 / +50° C
Plage de régulation / Regulation range	0-2bar 0-4bar 0-8bar standard 0-12bar
Raccordement manomètre / Manometer fastening	1/8

CODIFICATIONS / KEY TO TYPE NUMBER

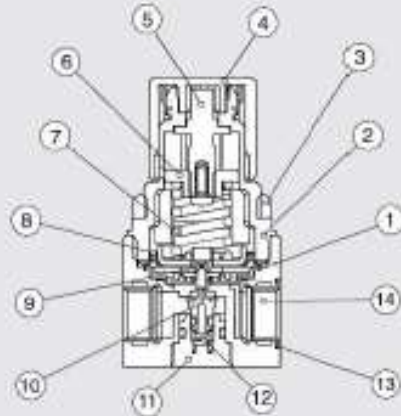
XQ 0.0.0.0

**PLAGE DE REGULATION
REGULATION RANGE**
1=0-2bar
2=0-4bar
3=0-8bar STANDARD
4=0-12bar

ELETAGE / THREAD
1=G 1/8 (TAGUA 0)
2=G 1/4 (TAGUA 0)



COMPONENTS / COMPONENTS



1	corps / body	technopolymer / technopolymer
2	cloche / bell	technopolymer / technopolymer
3	bague de fixation / fixing nut	technopolymer / technopolymer
4	molette / knob	technopolymer / technopolymer
5	vis de réglage / register screw	laiton / brass
6	écrou femelle / female screw	laiton / brass
7	ressort / spring	acier / steel
8	membrane / membrane	
9	joint / seal	NBR
10	obturateur / shutter	NBR
11	bouchon / plug	technopolymer / technopolymer
12	ressort / spring	acier inox / stainless steel
13	joint torique / o-ring	NBR
14	insert filetage / threaded insert	laiton / brass