



DONNEES TECHNIQUES / TECHNICAL DATA

Fluids / Fluid	Air / Air
Pression Max / Maximum pressure	15 bar
Temperature / Temperature	-10 / +50° C
Plage de régulation / Regulation range	0-2bar 0-4bar 0-8bar standard 0-12bar
Débit à 6 bar avec Δp à 1bar / 6bar flow rate with Δp 1bar	600N/min
Raccord de manomètre / Manometer fastening	1/8

CODIFICATIONS / KEY TO TYPE NUMBER

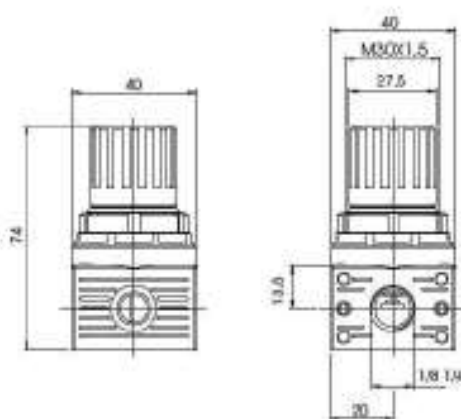
XM 0 0 0 0

PLAGE DE REGULATION  
REGULATION RANGE

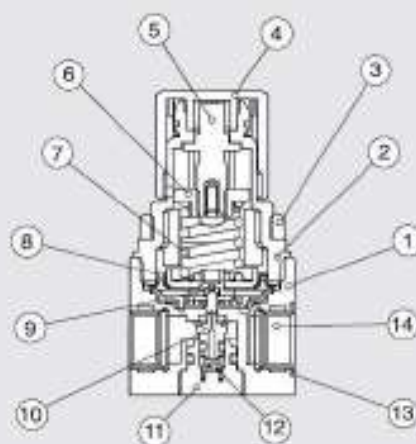
- 1=0-2bar
- 2=0-4bar
- 3=0-8bar STANDARD
- 4=0-12bar

FILETAGE / THREAD

- 1=G 1/8
- 2=G 1/4



COMPOSANTS / COMPONENTS



1	caps / body	technopolymer / technopolymer
2	cloche / ball	technopolymer / technopolymer
3	bague de fixation / fixing nut	technopolymer / technopolymer
4	molette / knob	technopolymer / technopolymer
5	vis de réglage / register screw	laiton / brass
6	écrou femelle / female screw	laiton / brass
7	ressort / register spring	acier / steel
8	membrane / membrane	
9	joint / seal	NBR
10	obturateur / shutter	NBR
11	bouchon / plug	technopolymer / technopolymer
12	ressort / spring	acier inox / stainless steel
13	joint torique / o-ring	NBR
14	insert filetage / threaded insert	laiton / brass